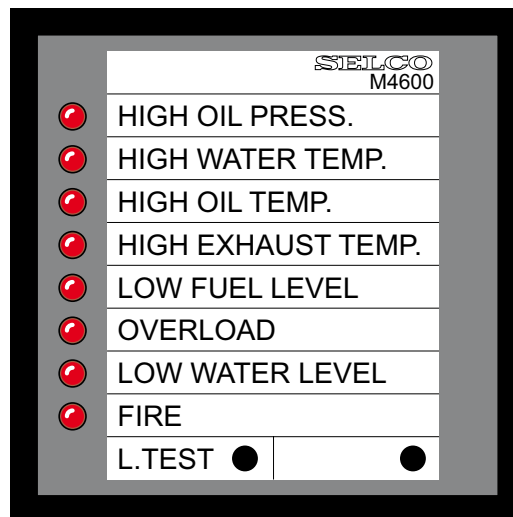


# M4600 Indicator Panel

- Simplifies and comprises indication in control panels and switchboards.
- Complete unit for flush mounting in standard instrument size 96 x 96mm
- Supplied with 8 indication channels.
- LED colour change through plug-in system.
- The blank legend card can be typed or printed to suit.
- Quick installation by means of clamping fittings and a plug-in terminal block for easy service.
- Two integrated push buttons, one for lamp test and one for external use.

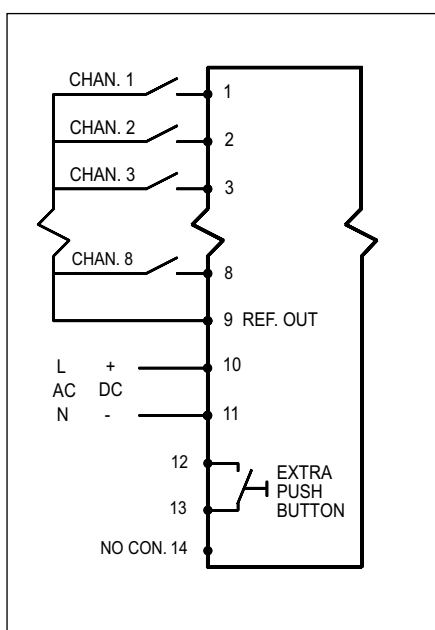


## Function

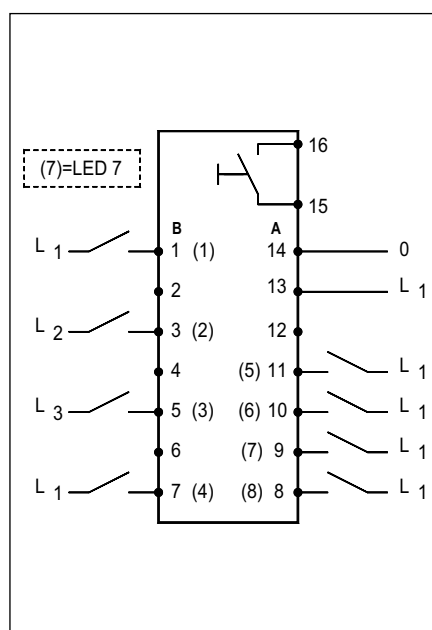
A connection from REF (Terminal 9) to the terminal with similar number as the indicator channel, will illuminate the LED of the appropriate channel.

## Typing

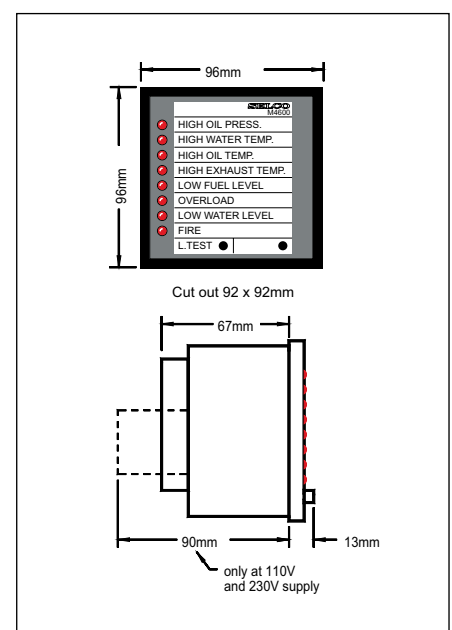
A text description for the LEDs can be printed on the blank legend card, situated between the two covers at the front. The card can be taped onto a sheet of paper, to enable printing. SELCO provides a Word template for doing this in an easy manner.



Connection Diagram.



Connection Diagram M4600-22.  
230V AC. Make sure that neutral is connected to 14.



M4600 dimensions.



# Specifications

## M4600 Indicator Panel

### SELCO Worldwide



Argentina	Korea
Australia	Malaysia
Austria	Mexico
Brazil	Netherlands
Belgium	New Zealand
Bulgaria	Norway
Chile	Pakistan
China	Philippines
Croatia	Poland
Czech Republic	Portugal
Egypt	Romania
Finland	Russia
France	Singapore
Germany	South Africa
Greece	Spain
Hong Kong	Sweden
Iceland	Taiwan
India	Thailand
Indonesia	Turkey
Iran	Ukraine
Italy	United Kingdom
Japan	U.S.A.

<b>Voltage supply</b>	24V DC ±25%
<b>Inputs</b>	8 inputs
<b>Extra push button</b>	250V AC, 0.5A
<b>Operating temperature</b>	-10°C to +70°C
<b>EMC</b>	CE according to EN50081-1, EN50082-1, EN50081-2, EN50082-2
<b>Burn-in</b>	50 hours before final test
<b>Weight</b>	M4600 0.3kg, M4500 110V and 230V AC supply 0.4kg
<b>Dimensions</b>	96 x 96 x 67mm (H x W x D)
<b>Panel cut out</b>	92 x 92mm

**Protection degree at front** IP31

The specifications are subject to change without notice.

### Type Selection Table

Type	Supply	Input
M4600.0010	24V DC/AC	+24V DC
M4600.0020	48V DC/AC	+48V DC
M4600.0030	12V DC/AC	+12V DC
M4600.0040	110V DC	+110V DC
M4600.0050	24V DC/AC	0V DC (inverted reference)
M4600.0060	48V DC/AC	0V DC (inverted reference)
M4600.0070	12V DC/AC	0V DC (inverted reference)

### Accessories

M0846.0010	Front cover for M4600 with handle	IP54
M0846.0020	Front cover for M4600 with key	IP54

Main office:  
 SELCO A/S  
 Betonvej 10  
 DK-4000 Roskilde  
 Denmark  
 Phone: + 45 7026 1122  
 Fax: + 45 7026 2522  
 e-mail: selco.dk@selco.com  
 www.selco.com



[SELCOUSA.com](http://SELCOUSA.com)