

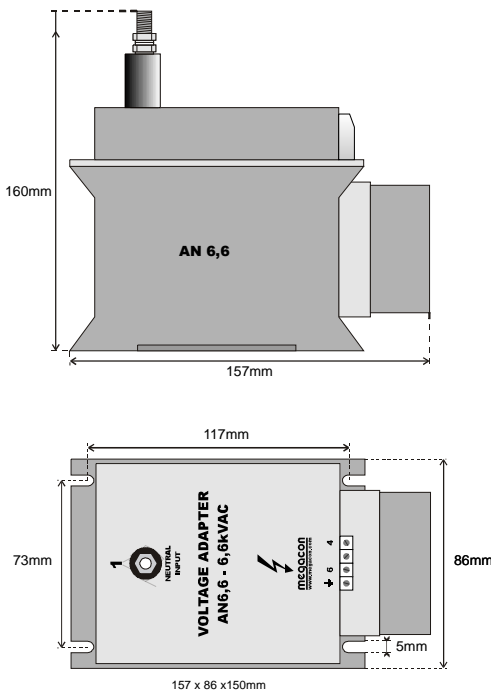


- HV Adaptor for AC Insulation Guards and Transducers
- For 6,6kV System Voltage live or non-live (Star-point/Neutral connection only)
- Creates safety barrier from live HT network to LV switchboard
- Limits measuring output signal to safe levels
- No restrictions on distance between adapter and LV switchboard

Specifications

Voltage range:	For 6,6kV system voltage (Star-point/Neutral connection only)
Frequency range:	40-400Hz
Temperature range:	-10 to +54°C
Dimensions:	157 x 86 x 160mm
Ingress Protection:	IP00
Weight:	1,6kg

Dimension



Description

Voltage Adaptor AN6,6 is used for Insulation Guard KPM163x and KCM16x or Insulation Transducer MCM163x, for monitoring neutral point in a 6600VAC network.

The adaptor is a passive low-pass filter for use in 50, 60 or 400Hz networks, and is potted in polyurethane.

The unit includes high inductance reactance modules, connected in a special configuration to avoid DC saturation. The Adaptor maintains a high AC suppression of its signal output to very low, safe levels, under all conditions.

Connections to the AC network are shown below, unit can only be connected to the star-point (Neutral).

Caution

Terminal 1 must be disconnected during "megger" test.

Principle connection

