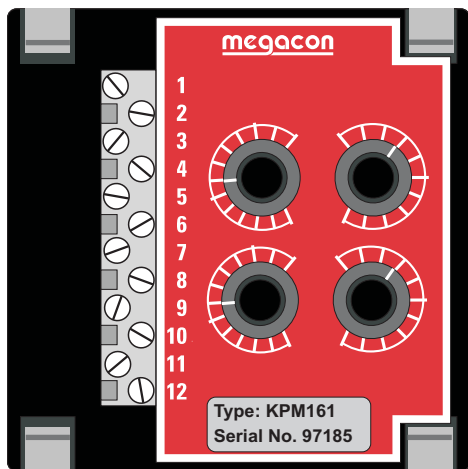
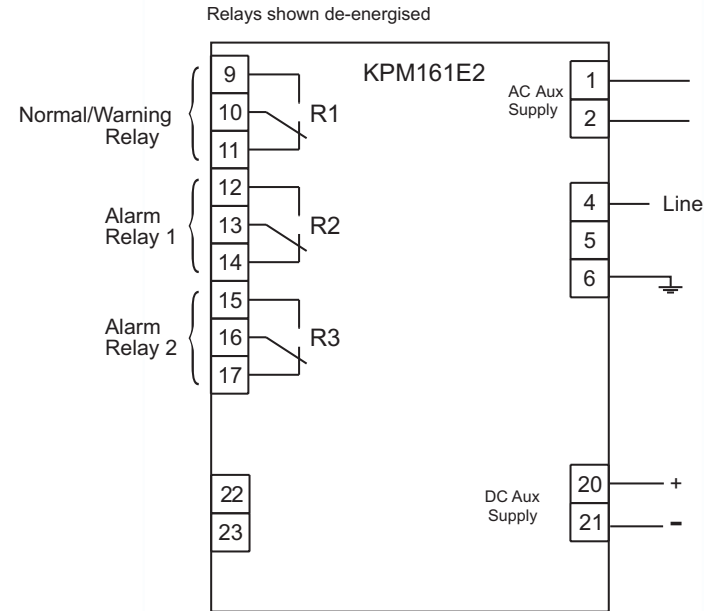


Relays shown de-energised,

KPM161 Terminal	KPM161E2 Terminal
1	1(AC) 20(DC)
2	2(AC) 21(DC)
3	9
4	10
5	11
6	12
7	13
8	14
9	
10	4
11	
12	6



SELCOUSA.com



Megacon International - Norway - UK - Denmark

www.megacon.com

Terminal connection changes:
KPM161 with single part connectors to new style KPM161E2 with two part connectors.

MTD KPM161 T2-A

Drawn: MJB Checked:

MJB