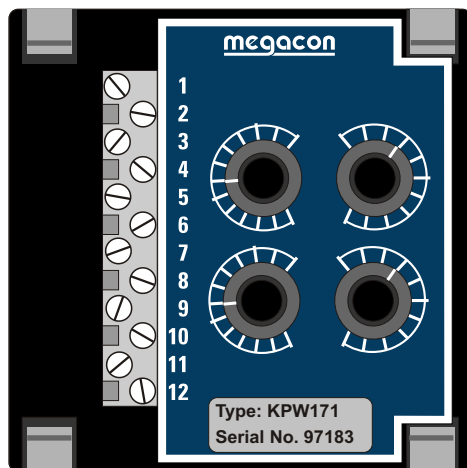
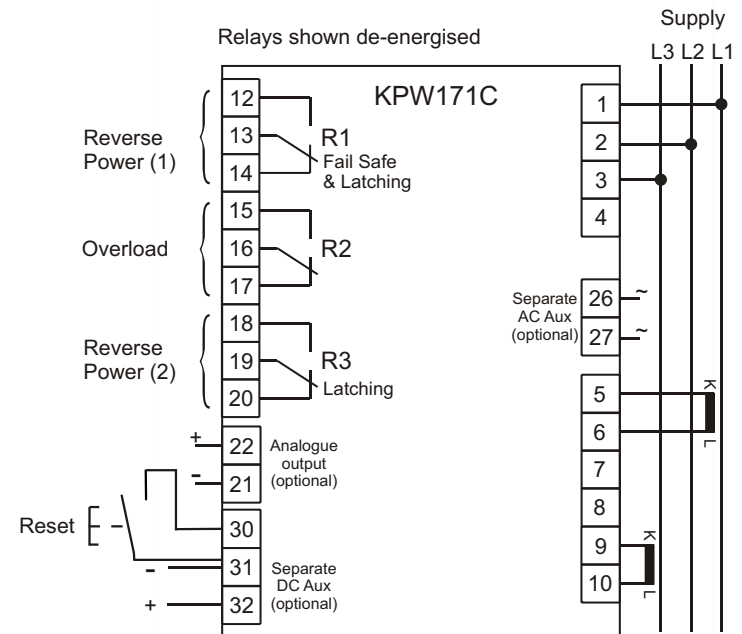
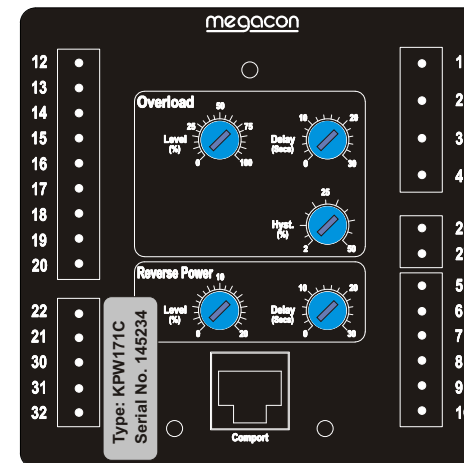


Relays shown de-energised,

KPW171 Terminal	KPW171C Terminal
1	1
2	2
3	3
4	12
5	13
6	15
7	16
8	17
9	5
10	6
11	9
12	10



[SELCOUSA.com](http://SELCOUSA.com)



Megacon International - Norway - UK - Denmark

[www.megacon.com](http://www.megacon.com)

Terminal connection changes:  
 KPW171 with single part connectors to new style KPW171C with two part connectors.

**MTD KPW171 T-A**

Drawn: DT

Checked: