



- Direct connection up to 690V line voltage, up to 1.4kV with HV adapter CH163/1,4
- Monitoring during both live and standby conditions
- For use in land, marine, offshore, sub-sea and ocean floor installations
- Complies with IMCA D 045 Code of Practice
- "Megger" - safe to 1.4kVDC when aux power is OFF
- Immune to earth capacitance and voltage surges
- Analogue output proportional to meter reading (F-version)

Specifications

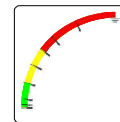
Auxiliary Supply:	100-120, 200-240, 380-415 or 440-460VAC, 40-70Hz (Fuse 0.5A)
Optional Voltage:	12-24, 48 or 110VDC (Fuse 2A)
Supply tolerance:	± 10%
Power rating:	1,5VA
Contact rating:	AC: 100VA - 250V/2A max. DC: 50W - 100V/1A max.
Analogue Output:	Up to 20mA, max 500R
F-versions	Up to 10V, min 100kohm (other on request)
Temperature:	-20 to +70°C
Weight:	0.85kgs
Front protection:	IP52 (IP65 optional)

Application

The digitally controlled KPM161x series monitors insulation level between a non-grounded (IT) AC mains and its protective earth, regardless of whether the mains is live or non-live (standby). The unit is for land, marine, offshore, sub-sea and ocean floor use.

An AC or DC auxiliary voltage is required for the unit, if powered from a separate source the network can also be monitored during standby conditions. Only **ONE** KPM161x can be connected to each IT-system. The ohmmeter and the triple-zone status LEDs give at a glance the clear safety message:

- ALARM (red zone)
- WARNING (yellow zone)
- HEALTHY (green zone)



INTELLIGENT SETTING ASSISTANCE

KPM161x has a built-in Assistance tool for setting/verification of the trip levels and the analogue output.

When either the **Warning** or **Alarm** potmeter on the rear is operated by user, the meter goes into **Assistance Mode** and meter reading and analogue output will reflect the potmeter setting (the blue LED will be lit in this mode).

How to set alarm levels:

Firstly adjust potmeter fully clockwise (see that meter goes to the top), then adjust potmeter down to required **Warning** or **Alarm** setpoint.



How to test analogue output signal:

Adjust any trip level potmeter to activate Assistance Mode. **Example:** On a 4-20mA output, adjust potmeter fully anti clockwise for 4mA and fully clockwise for 20mA.

The KPM161x range is designed to comply with specification IMCAD 045 "Code of Practice for the Safe Use of Electricity Under Water" issued by IMCA.

The unit meets EN 61010-1 Cat. III, Pollution degree 2 and the relevant environmental and EMC tests specified in EN 61326-2-4 to comply with the requirements of the major Classification Societies.

General

IDV MEASURING PRINCIPLE

Insulation is measured between the complete galvanically interconnected AC network and its protective earth.

The unit injects a DC voltage signal into the monitored system. The signal flows to ground via the path of the insulation fault, the level of flow indicates the insulation resistance. The measuring accuracy is not influenced by any normal kind of load attached to the AC network.

Trip levels and delays are settable on unit rear. A trip LED flashes when the trip level is passed, the relay trips when the delay has elapsed. The timer resets if the fault is removed during countdown.

MEGGER SAFE

When auxiliary power is **OFF** the unit input is automatically protected against "megger" test voltages up to 1.4kVDC, and incorrect measurements caused by the unit's input impedance are avoided.

OUTPUTS

All F versions have an isolated **analogue output** proportional to meter reading. If output is used for remote meter reading, we recommend 0-1mA for the slave indicator.

NOTE

Special versions of the KPM161x are available as:

KPM161xM series - Insulation Guards with DC detection function, protected against **high-energy** DC voltage imposed on the monitored AC supply.

KPM261x series - Insulation Guards with measuring loop continuity monitoring.



Description

KPM161E2 & KPM161F - KPM161G & KPM161GF

This unit is used for hospital, industrial, marine and offshore installations.

Start of monitoring function is delayed when auxiliary power is switched on. (default 5 secs delay)

The unit has minimum 150 mS detection time for any insulation fault.

Direct connection up to 690V line voltage. Up to 1,4kV via HV adaptor CH163/1,4.

Relay Operation

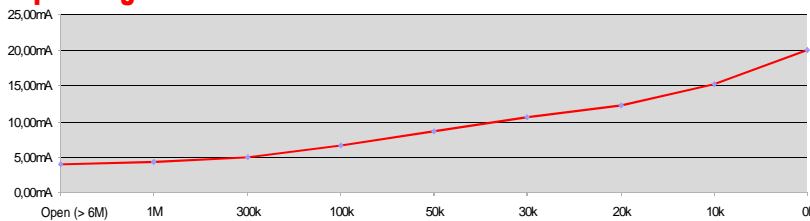
Scale range: 0-1000kΩ - ∞ (>6MΩ)

	Warning	Alarm	Fail Safe	Latch
R1	✓			
R2		✓		*✓
R3		✓	✓	*✓

Model	Latch	Output	Fail Safe	Adjustments	Trip level	Delay
KPM161E2	-	-	X	WARNING:	0-1MΩ	0-30secs
KPM161F	-	X	X	ALARM:	0-1MΩ	0,1-3secs
KPM161G*	X	-	X			
KPM161GF*	X	X	X			

Coloured sectors show recommended areas of settings:
 ■ - Indicates alarm trip zone
 ■ - Indicates warning trip zone
 ■ - Indicates healthy zone

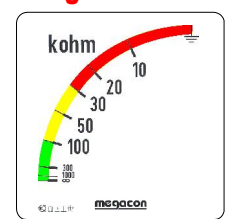
Output diagram



Output table (example for 4-20mA)

Value (scale)	mA output
0kΩ	20.00mA
10kΩ	15.22mA
20kΩ	12.32mA
30kΩ	10.61mA
50kΩ	8.68mA
100kΩ	6.69mA
300kΩ	4.98mA
1MΩ	4.28mA
Open (>6MΩ)	4.00mA

Range



Description

KPM161E3 & KPM161F3 - KPM161G3 & KPM161GF3

This unit is used for hospital, industrial, marine and offshore installations.

Start of monitoring function is delayed when auxiliary power is switched on. (default 5 secs delay)

The unit has minimum 150 mS detection time for any insulation fault.

Direct connection up to 690V line voltage. Up to 1,4kV via HV adaptor CH163/1,4.

Relay Operation

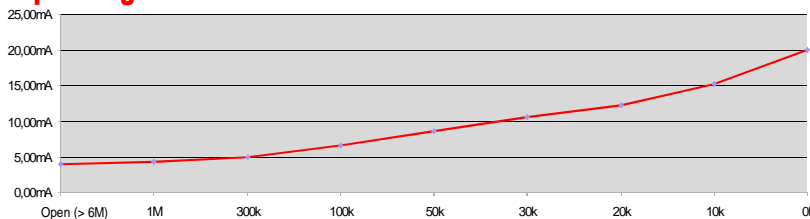
Scale range: 0-1000kΩ - ∞ (>6MΩ)

	Warning	Alarm	Fail Safe	Latch
R1	✓			
R2		✓		*✓
R3		✓	✓	*✓

Model	Latch	Output	Fail Safe	Adjustments	Trip level	Delay
KPM161E3	-	-	X	WARNING:	0-10MΩ	0-30secs
KPM161F3	-	X	X	ALARM:	0-10MΩ	0,1-3secs
KPM161G3*	X	-	X			
KPM161GF3*	X	X	X			

Coloured sectors show recommended areas of settings:
 ■ - Indicates alarm trip zone
 ■ - Indicates warning trip zone
 ■ - Indicates healthy zone

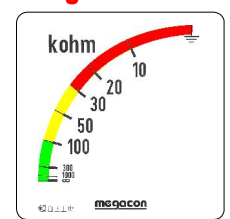
Output diagram



Output table (example for 4-20mA)

Value (scale)	mA output
0kΩ	20.00mA
10kΩ	15.22mA
20kΩ	12.32mA
30kΩ	10.61mA
50kΩ	8.68mA
100kΩ	6.69mA
300kΩ	4.98mA
1MΩ	4.28mA
Open (>6MΩ)	4.00mA

Range



The MEGACON policy is one of continuous improvement, consequently equipment supplied may vary in detail from this publication.



Description

KPM161E2-SKK & KPM161F-SKK - KPM161G-SKK & KPM161GF-SKK

These optional units are similar to KPM161E2 & KPM161F - KPM161G & KPM161GF.

The only difference is that the delay before the start of monitoring function is shorter. **(default 1 secs delay)**

The unit has minimum 150 mS detection time for any insulation fault.

Direct connection up to 690V line voltage. Up to 1,4kV via HV adaptor CH163/1,4.

Relay Operation

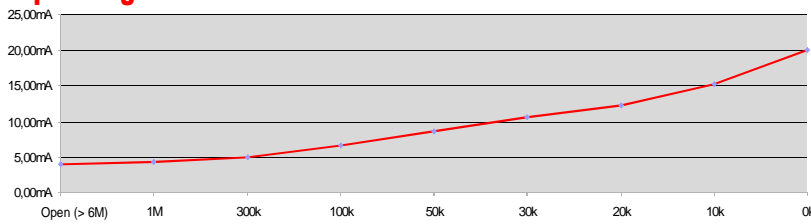
Scale range: 0-1000kΩ - ∞ (>6MΩ)

	Warning	Alarm	Fail Safe	Latch
R1	✓			
R2		✓	✓	*/✓
R3		✓	✓	*/✓

Model	Latch	Output	Fail Safe	Adjustments	Trip level	Delay
KPM161E2-SKK	-	-	X	WARNING:	0-1MΩ	0-30secs
KPM161F-SKK	-	X	X	ALARM:	0-1MΩ	0,1-3secs
KPM161G-SKK*	X	-	X			
KPM161GF-SKK*	X	X	X			

Coloured sectors show recommended areas of settings:
 - Indicates alarm trip zone
 - Indicates warning trip zone
 - Indicates healthy zone

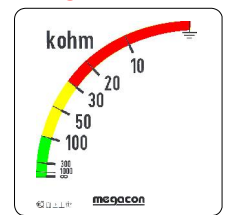
Output diagram



Output table (example for 4-20mA)

Value (scale)	mA output
0kΩ	20,00mA
10kΩ	15,22mA
20kΩ	12,32mA
30kΩ	10,61mA
50kΩ	8,68mA
100kΩ	6,69mA
300kΩ	4,98mA
1MΩ	4,28mA
Open (>6MΩ)	4,00mA

Range



High Voltage Adaptors up to 1,4kVAC for KPM161x series

- HV Adaptor for AC Insulation Guards
- CH163x series, up to 1400V Line Voltage live or non-live (standby)
- Creates safety barrier from live HT network to LV switchboard
- Limits measuring output signal to safe levels
- No restrictions on distance between adaptor and LV switchboard

Voltage Adaptors CH163x series are used for Insulation Guard KPM161x when the monitored line voltage is higher than 690VAC. These adaptors are a passive low-pass filter for use in 50, 60 or 400Hz networks, and are potted in polyurethane.

These units includes high inductance reactance modules, connected in a special configuration to avoid DC saturation. Connection to the star-point (Neutral) is Preferable. These adaptors maintain a high AC suppression of its signal output to very low, safe levels, under all conditions.

Caution

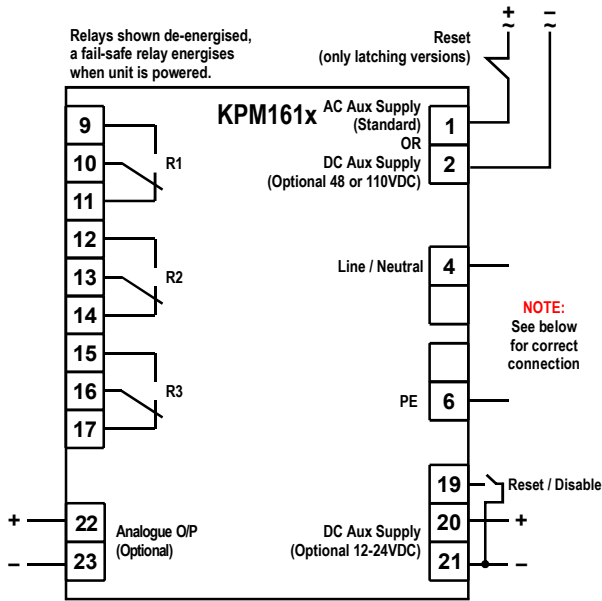
Terminal 1 must be disconnected during "megger" test.



CH163/1,4 up to 1.4kVAC

The MEGACON policy is one of continuous improvement, consequently equipment supplied may vary in detail from this publication.





Analogue Output

KPM161F, KPM161GF, KPM161F3, KPM161GF3, KPM161F-SKK and KPM161GF-SKK have an analogue output proportional to meter reading. (Special outputs are available on request)

Add suffix from table below to type designation to specify output required:

O/P1	0 - 10mA	O/P6	N/A
O/P2	0 - 20mA	O/P7	N/A
O/P3	4 - 20mA	O/P8	0 - 10VDC
O/P4	N/A	O/P9	N/A
O/P5	N/A	O/P10	N/A

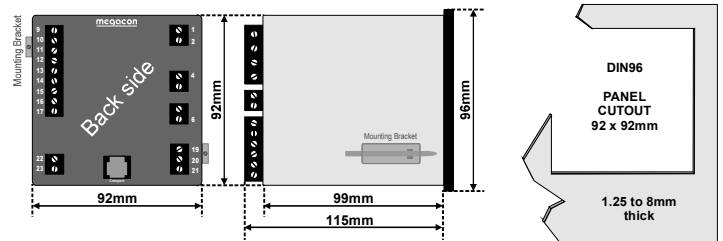
Reset / Paralleling Disable Function

KPM161x has a built-in disable function. When connecting two or more IT-networks together **only one unit** can be active, the other(s) must be disabled. When unit is disabled the power led will flash every 2 seconds to indicate that unit is inactive.

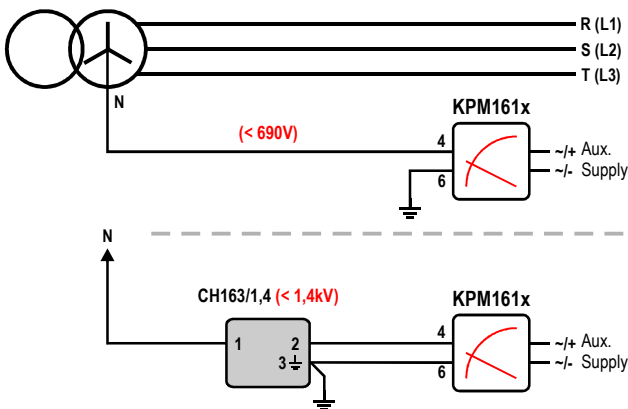
Use a potential free contact on terminal 19 and 21 to activate the disable function (after 2 secs). When activated the measuring input terminal 4 will be internally disconnected.

A pulse (60mS-2 Sec) on terminal 19,21 will only reset any latching alarm.

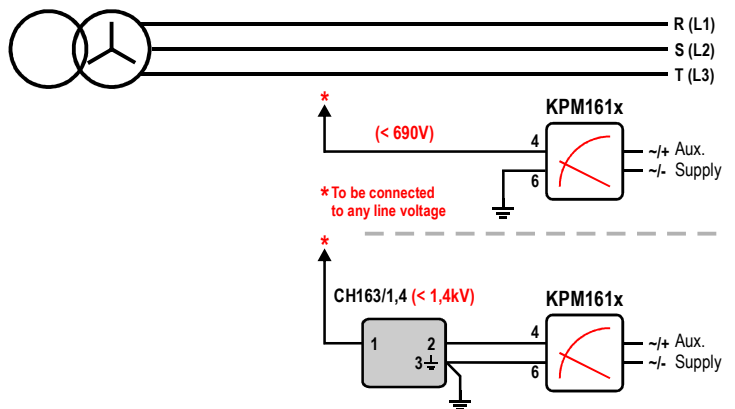
Dimensions



NEUTRAL VOLTAGE INPUT



LINE VOLTAGE INPUT



The MEGAICON policy is one of continuous improvement, consequently equipment supplied may vary in detail from this publication.

ORDERING EXAMPLE:

Type: KPM161F
 Aux. Supply: 200-240VAC
 Network Voltage: 1,4kVAC
 Analogue O/P: (O/P3) 4-20mA
 Range: 0 - 10Mohm

