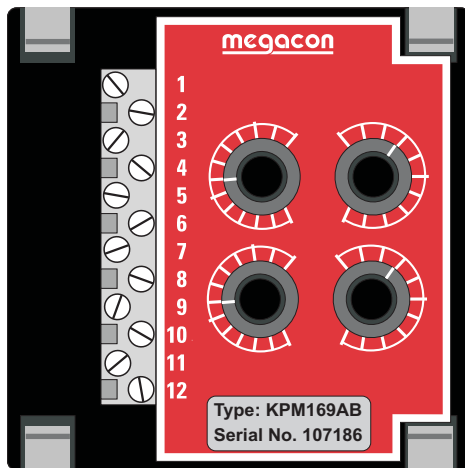
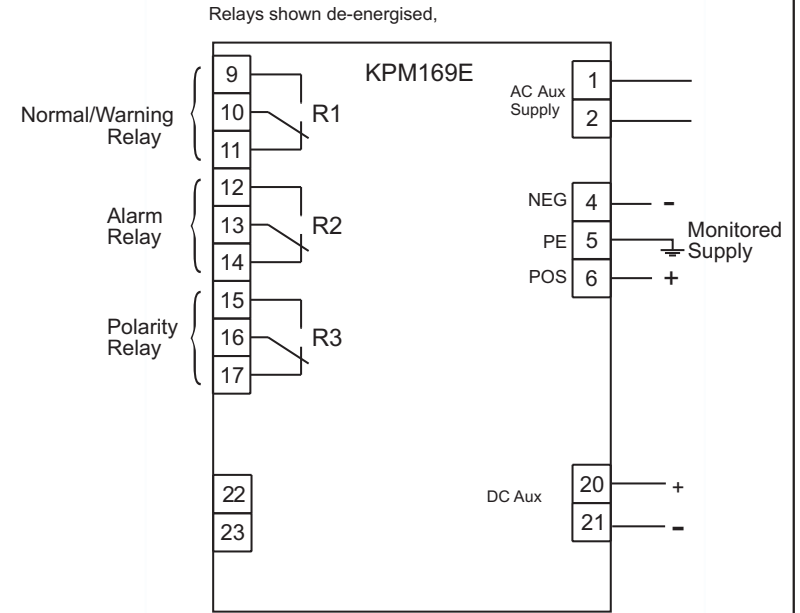


Relays shown de-energised,

KPM169AB Terminal	KPM169E Terminal
1	1(AC) 20(DC)
2	2(AC) 21(DC)
3	9
4	10
5	11
6	12
7	13
8	14
9	
10	5
11	6
12	4



Megacon International - Norway - UK - Denmark

[www.megacon.com](http://www.megacon.com)

Terminal connection changes:  
KPM169AB with single part connectors to new style KPM169E with two part connectors.

**MTD KPM169AB T-B**

Drawn: MJB Checked:

MJB