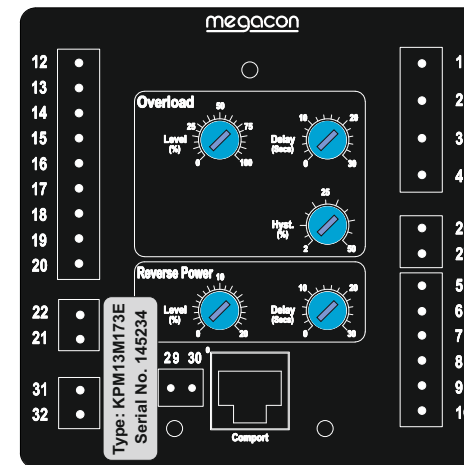
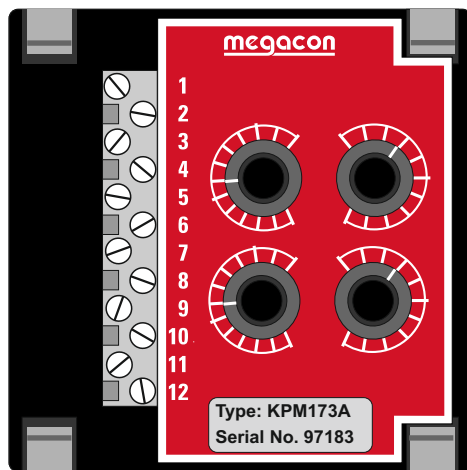
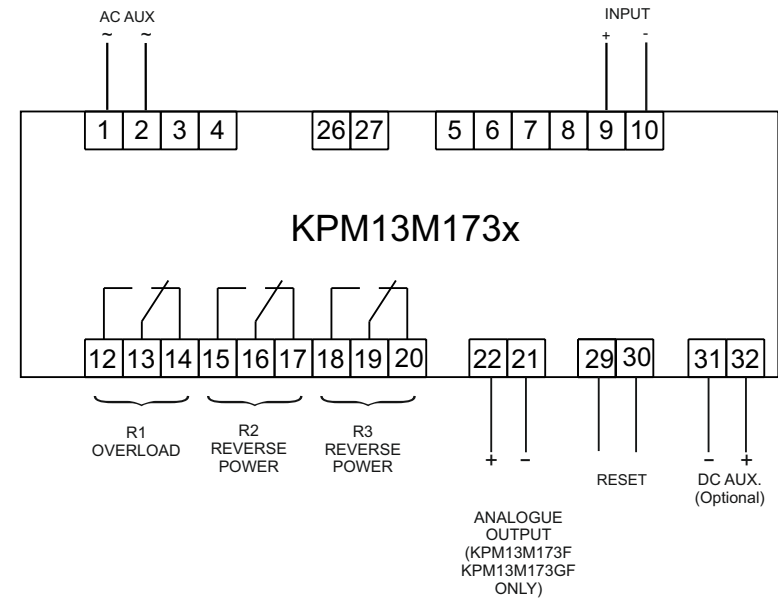


Relays shown de-energised,

KPM173 Terminal	KPM13M173x Terminal
1	1(AC) 32(DC +)
2	2(AC) 31(DC -)
3	15
4	16
5	17
6	12
7	13
8	14
9	
10	
11	9
12	10



Megacon International - Norway - UK - Denmark

www.megacon.com

Terminal connection changes:
KPM173 with single part connectors to new style KPM13M173x with two part connectors.

MTD KPM173 T2-A

Drawn:

Checked:

AN